

Installation and Operation Manual

TXC3304 Conventional Sounder Strobe



TANDA Development Copyright ©2015, All right reserved

1 Overview

TXC3304 Conventional Sounder Strobe is a type of fire alarm device for on-site installation and it is controlled by a fire alarm control panel. Once activated, it can send strong audible and visible alarm signals to warn people on site when fire occurs.

2 Features

- 2.1 Optional loop powered or external PSU powered
- 2.2 Strobe with high intensity LED cluster, long lifespan
- 2.3 Low power consumption
- 2.4 Electronic address coding
- 2.5 Plug-in structure design for easy installation and high reliability

3 Technical parameters

- 3.1 Operating Voltage: 24VDC
- 3.2 Operating Current:
 - Standby: 0mA Alarm≤50mA
- 3.3 Flashing Frequency: 1.0 ~1.6Hz
- 3.4 Sound Pressure Level: 75 ~100dB @ 3 meters
- 3.5 Sound Pulsing Frequency: 3.5 ~ 4.5s
- 3.6 Operating Environment
 - Temperature: -10°C~+55°C
 - Relative Humidity: ≤95% non-condensing
- 3.7 Weight: 160g (with base)
- 3.8 Dimension: 145mm x 115mm x 60mm

4 Structures and Operation Principle

- 4.1 The appearance & dimension are shown in Fig 1.

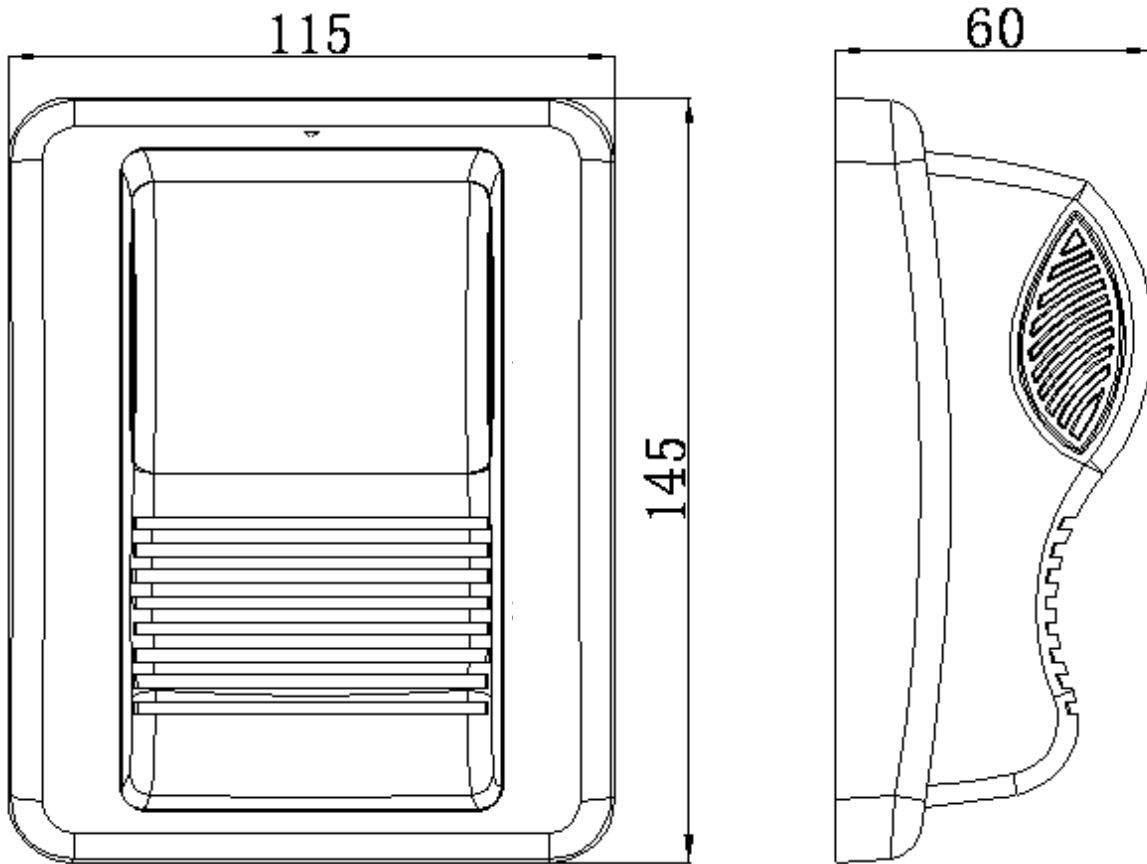


Fig.1 Appearance & Dimension

4.2 Operation Principle

The sounder strobe is amplified by the power amplification circuit through the audio chip to make the speaker generate sound. It adopts a timing circuit to control the flashing signal from the 5 high intensity LEDs. The decoding circuit controlled by the CPU enables the communication between the sounder strobe and the fire alarm control panel.

5 Installation and Wiring

Warning: Before install the device, disconnect its power from the loop and ensure all bases are securely installed

Before install, it is necessary to check whether the shell is intact or the sign and label are complete. The terminals of the sounder strobe and its base are shown in Fig 2. and the device installation is shown in Fig 3.

Wiring terminals are as the following:

D1, D2: 24VDC Input terminal, non-polarized

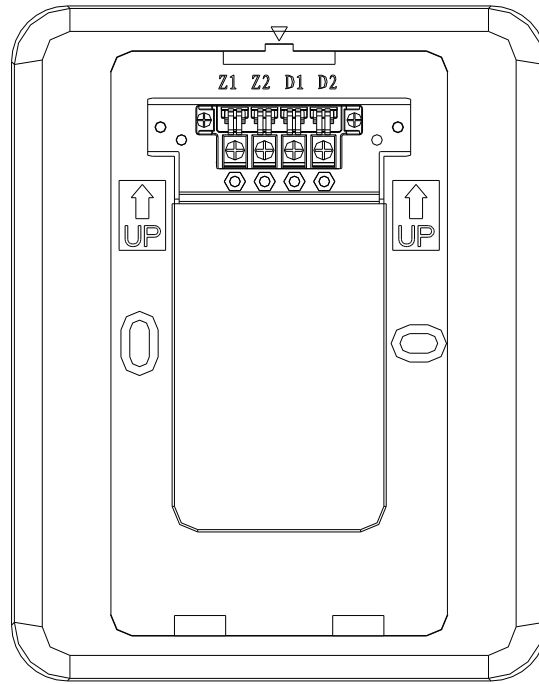


Fig. 2 Terminals and Base

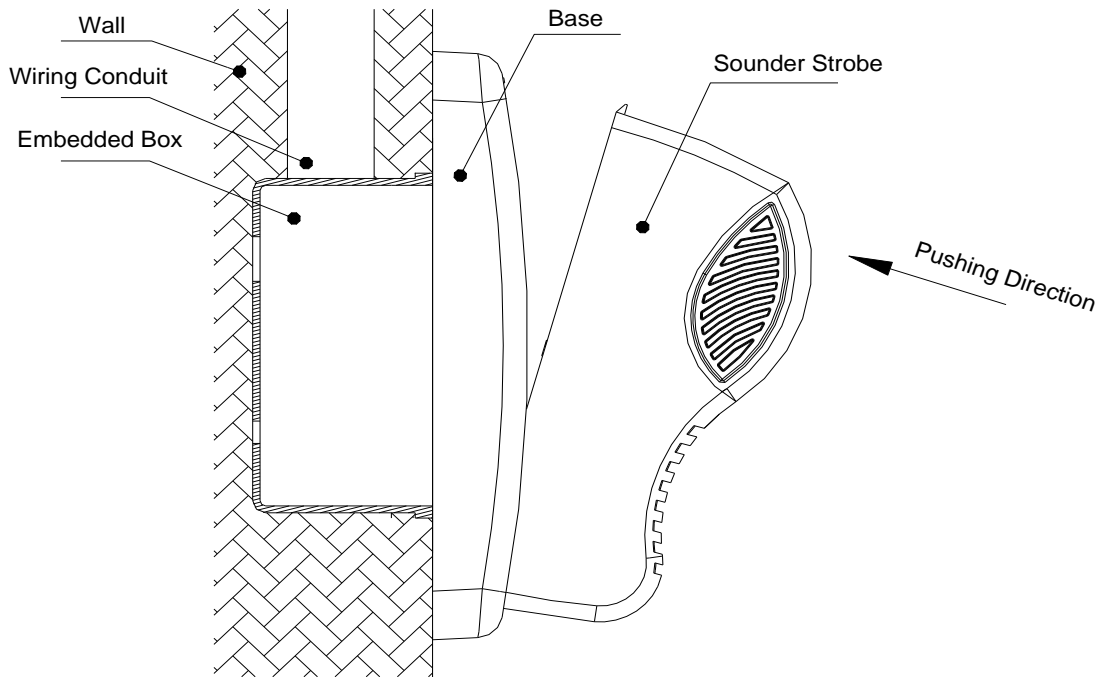


Fig. 3 Installation

Wiring is shown in Fig 4.

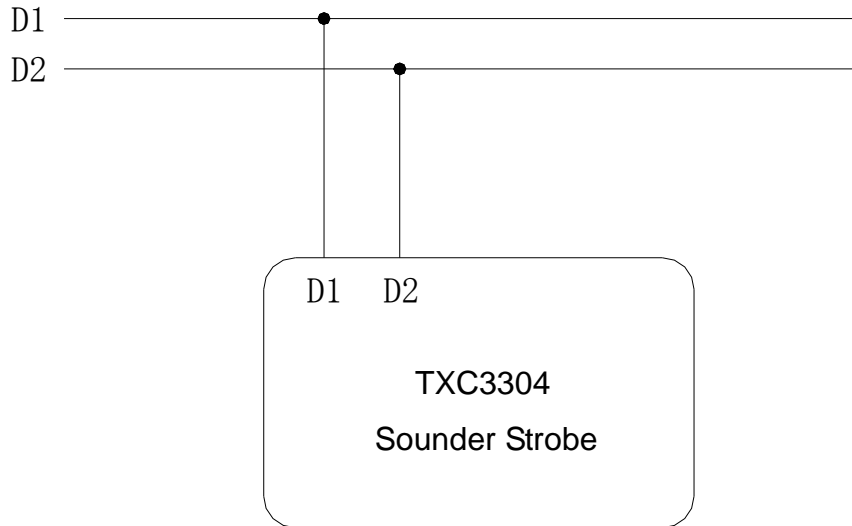


Fig.4 Wiring

6 Application and operation

Install the sounder strobe on the base as shown in Fig 3. Connect with 24VDC power supply to start the sounder strobe and send out sound & visual signal.

7 Notes

The regular functional test is suggested to be carried out once every half a year after the sounder strobe starts operation.