

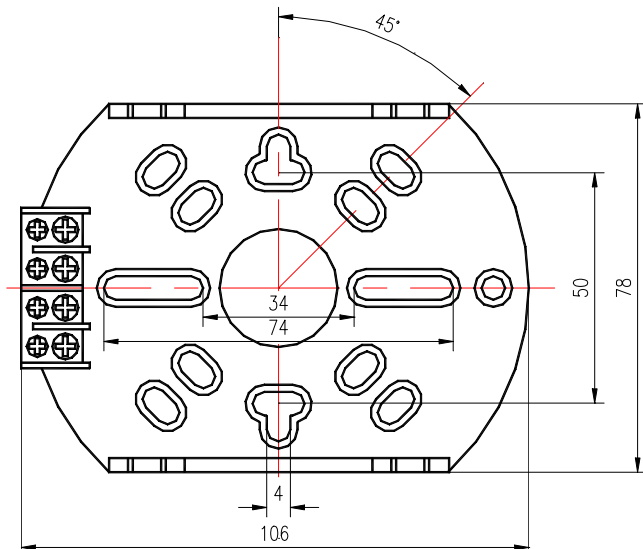
Description

GST-JL Alarm Bell is used in a fire alarm system. When the system confirms a fire signal, control unit in the system will start it to alert people in field.

GST-JL Alarm Bell has aluminum alloy cover, featuring light weight, high loudness, and easy installation. It is activated by a 24VDC motor driving a shaft and link rod without a relay. It has low power consumption and high reliability.

Installation

GST-JL Alarm Bell consists of the alarm bell body and a base. The base should be fixed on the wall firstly. Then connect control cable with the power supply. Then connect the power cable from the alarm bell body to power plug on the base, finally insert the bell body to the base. Base of the Alarm Bell is shown in the following figure.



Connect control cable to 24VDC to test whether the Alarm Bell can work properly.



Specification

Operating Voltage	24VDC±15% (non polarized)
Operating Current	≤21mA (24VDC)
Output Sound Level	>95dB (24VDC)
Dimension:	φ152mm

Cautions

- ✧ Don't connect control cable to high voltage, avoiding damage to the Alarm Bell.
- ✧ Mount the clapper downward.
- ✧ Please contact us in time for any problem.

Limited Warranty

GST warrants that the product will be free of charge for repairing or replacing from defects in design, materials and workmanship during the warranty period. This warranty does not cover any product that is found to have been improperly installed or used in any way not in accordance with the instructions supplied with the product. Anybody, including the agents, distributors or employees, is not in the position to amend the contents of this warranty. Please contact your local distributor for products not covered by this warranty.

This document is subject to change without notice. Please contact GST for more information or questions.

GST China
Gulf Security Technology Co., Ltd.

No. 80, Changjiang East Road,
QETDZ, Qinhuangdao, Hebei,
P. R. China 066004
Tel: +86 (0) 335 8502528
Fax: +86 (0) 335 8508942
sales@gst.com.cn
www.gst.com.cn

GST UK
Global System Technology PLC

Lion Court, Staunton Harold Hall,
Melbourne Road, Ashby de la Zouch,
Leicestershire, England LE65 1RT
Tel: +44 1283 225 478
Fax: +44 1283 220 690
info@gst.uk.com
www.gst.uk.com

GST Dubai
Global System Technology PLC

P.O. Box 17998 Unit ZA04
JEBEL ALI Free Zone,
Dubai, UAE
Tel: +971 (0) 4 8833050
Fax: +971 (0) 4 8833053
info@gst.uk.com
www.gst.uk.com